

**GREEN  
LIFTER**

# TRAILER CRANE

equipment for special tasks

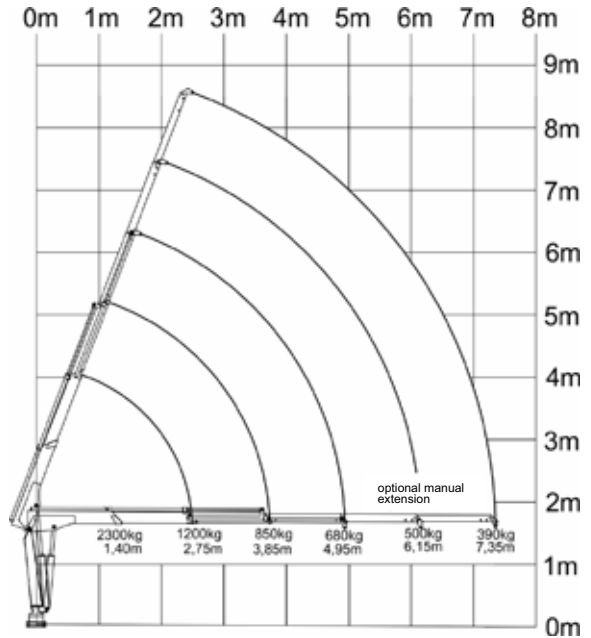


The GREENLIFTER TC TRAILER CRANE on a trailer is a modern solution ideal for the window and construction industry. The crane is made of certified S700 MC steel (Swedish STREX / WELDOX, German SALZGITTER). The device is completely independent and independent. It has its own powered by an internal combustion engine. Depending on the specific configuration cranes on the trailer may have various ranges from 8 to even 12 meters. The parameters of the trailer may differ from those given in the catalog.



## TRAILER CRANE TC.34

Remote control



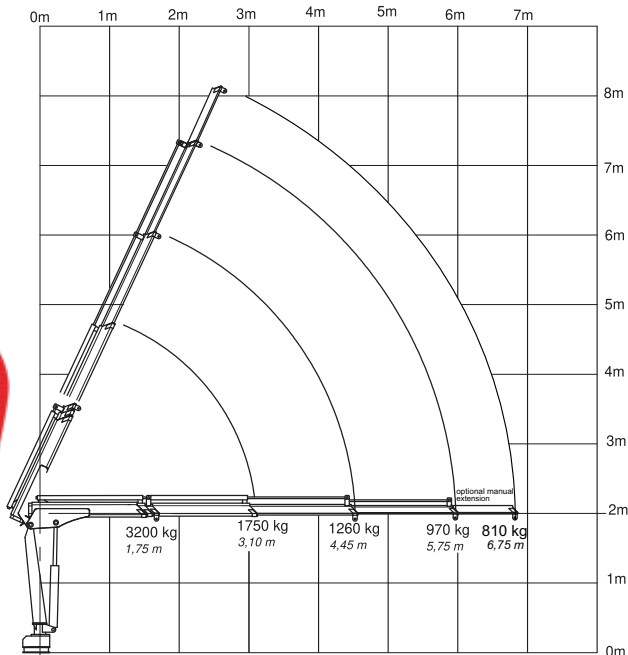
- maximum lifting capacity 2300 kg
- three hydraulic and two manual extensions with a total reach of 7.35m
- rotation of the column on the rim
- extension equipped with textolite slides
- combustion engine - VANGUARD gasoline engine (electric start)
- radio control of the crane
- a vehicle of category O2
- number of axles and wheels 2/4
- length 4400 mm
- width 2020 mm
- four hydraulically lowered supports, after initial manual unfolding

Bio hydraulic oil  
available as an  
option



## TRAILER CRANE TC.57

Remote control



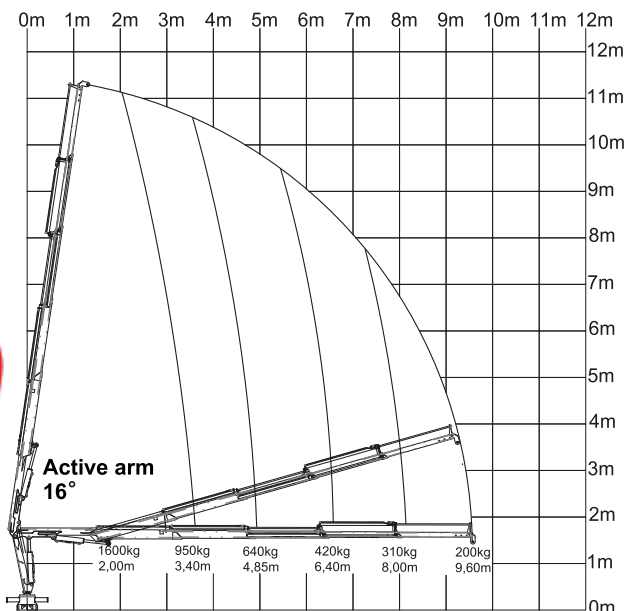
- maximum lifting capacity 3200 kg
- three hydraulic and two manual extensions with a total reach of 6.75 m
- rotation of the column on the rim
- extension equipped with textolite slides
- combustion engine - VANGUARD gasoline engine (electric start)
- radio control of the crane
- a vehicle of category O2
- number of axles and wheels 2/4
- length 4400 mm
- width 2020 mm
- four hydraulically lowered supports, after initial manual unfolding

Bio hydraulic oil available as an option



**TRAILER CRANE TC.36**

Remote control



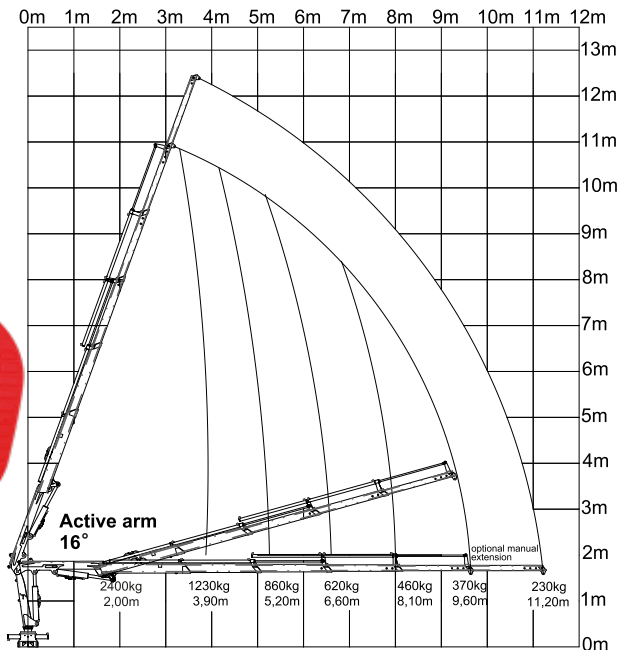
- maximum lifting capacity of 1 600 kg
- three hydraulic and two manual extensions with a total reach of 9.6 m
- rotation of the column on the rim
- extension equipped with textolite slides
- combustion engine - VANGUARD gasoline engine (electric start),
- radio control of the crane
- a vehicle of category O2
- number of axles and wheels 2/4
- length 4400 mm
- width 2020 mm
- four hydraulically lowered supports, after initial manual unfolding

Bio hydraulic oil available as an option



## TRAILER CRANE TC.55

Remote control



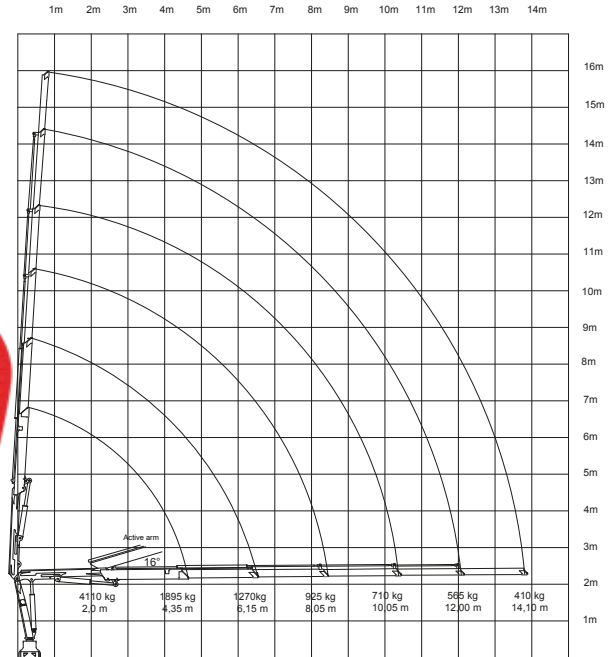
- maximum lifting capacity of 1 600 kg
- three hydraulic and two manual extensions with a total reach of 9.6 m
- rotation of the column on the rim
- extension equipped with textolite slides
- combustion engine - VANGUARD gasoline engine (electric start)
- radio control of the crane
- a vehicle of category O2
- number of axles and wheels 2/4
- length 4400 mm
- width 2020 mm
- four hydraulically lowered supports, after initial manual unfolding

Bio hydraulic oil available as an option



## TRAILER CRANE TC.95

Remote control



- maximum lifting capacity 4110 kg
- four hydraulic extensions + one manual with a total reach of 14.1 m
- rotation of the column on the rim
- extension equipped with textolite slides
- combustion engine - VANGUARD gasoline engine (electric start)
- radio control of the crane
- number of axles and wheels 2/4
- four hydraulically lowered supports, after initial manual unfolding

Bio hydraulic oil  
available as an  
option



## *Mini Crawler Crane*

### Additional equipment options



Fig.1



Fig.2

JiB manual instead of extension. Fig.2

RAL color

500 kg winch (hydraulic function included). Fig. 1

Additional power supply 230 V or 400 V

4-function or 6-function remote control

Additional hydraulic options

Hydraulic rotator

Rotator hanger

Remote control, hydraulic drive of trailer  
wheels + steering





**GREEN  
LIFTER**

[www.greenlifter.com](http://www.greenlifter.com)  
[info@greenlifter.com](mailto:info@greenlifter.com)