

**GREEN
LIFTER**

Mini Crawler Crane

equipment for special tasks

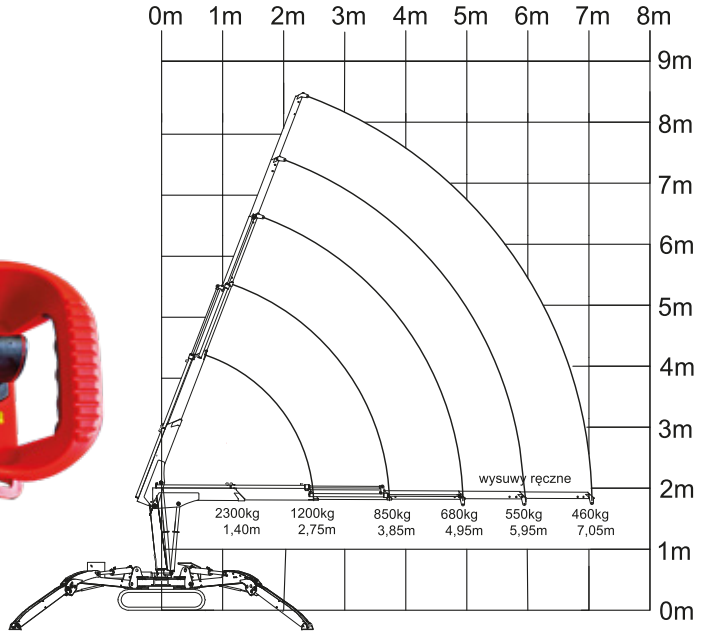


The **GREENLIFTER** mini crane on a tracked chassis
It is designed for indoor and outdoor work. The **GREENLIFTER** tracked mini cranes stand out maneuverability and mobility.
They are very **effective**, and at the same time durable and reliable.
Despite their **compact** design and low weight, they are characterized by
have high stability and can lift even very heavy loads.



Mini Crawler Crane SC.34/SC.34e

Remote control



- radio control of the device
- dual crane power supply - benzine and electric 230V or 400V depending on the selected option,
- maximum capacity: 2300 kg (according to the diagram),
- anti-overload system as standard,
- maximum horizontal range over 7 m,
- three hydraulic extensions + two manual extensions,
- maximum vertical range over 8 m,
- 4 supports lowered hydraulically, after initial unfolding by hand
- weight approx. 1700 kg,
- height about 195 cm.
- width approx. 88 cm

GREEN LIFTER SC.34 - powered by an internal combustion engine
 GREEN LIFTER SC.34e - lithium-ion battery operation

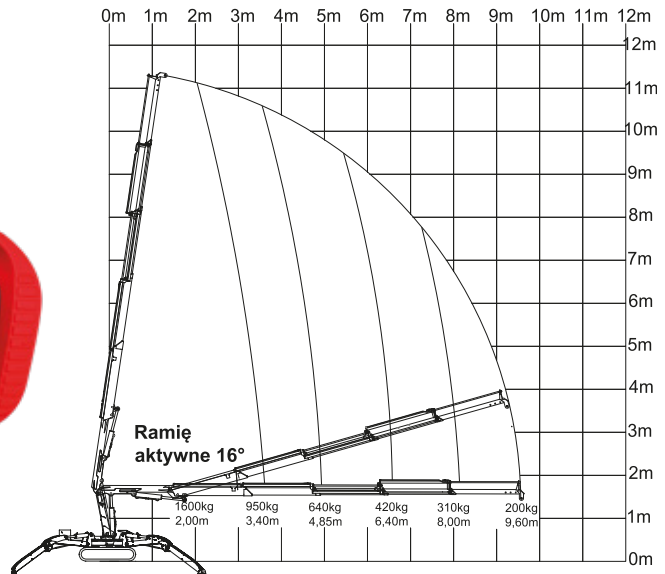


Bio hydraulic oil
 available as an
 option



Mini Crawler Crane SC.40/SC.40e

Remote control



- radio control of the device
- double crane power supply - benzine and electric 230 V or 400 V depending on the selected option,
- maximum lifting capacity of the crane 1600 kg (according to the diagram),
- anti-overload system as standard,
- maximum range of over 9m horizontally,
- four hydraulic extensions,
- maximum vertical range over 11 m,
- active arm 16 °,
- 4 supports lowered hydraulically after initial manual unfolding,
- width about 88cm,
- height approx. 195 cm,
- weight about 2000 kg.

GREEN LIFTER SC.34 - powered by an internal combustion engine
 GREEN LIFTER SC.34e - lithium-ion battery operation

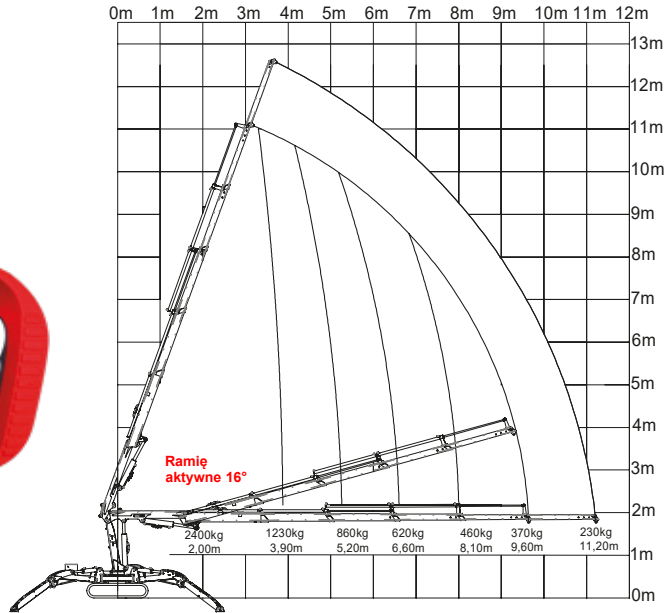


Bio hydraulic oil
 available as an
 option



Mini Crawler Crane SC.50/SC.50e

Remote control



- radio control of the device
- double crane power supply - benzine and electric 230 V or 400 V depending on the selected option,
- maximum capacity of the crane 2400 kg (according to the diagram),
- anti-overload system as standard,
- maximum horizontal range over 11 m,
- four hydraulic extensions + one manual
- maximum vertical range over 12 m,
- active arm 16 °,
- 4 supports lowered hydraulically after initial manual unfolding,
- width about 88cm,
- height approx. 195 cm,
- weight about 2200 kg.

GREEN LIFTER SC.34 - powered by an internal combustion engine
 GREEN LIFTER SC.34e - lithium-ion battery operation



Bio hydraulic oil
 available as an
 option



Mini Crawler Crane

Additional equipment options



Fig.1



Fig.2

JiB manual instead of extension. Fig.2

RAL color

500 kg winch (hydraulic function included). Fig. 1



**GREEN
LIFTER**

www.greenlifter.com
info@greenlifter.com