

**GREEN
LIFTER**

Electric wheel drive trolley

equipment for special tasks



GREENLIFTER wheel drive trolley it is used for transport and towing loads. We have a wide offer additional equipment. Thanks to the well-thought-out design, the accessories can be changed quickly and easily. All GREENLIFTER products are CE certified, which means that our products comply with the EU machine directives.

ADVANTAGES OF AN ELECTRIC TRANSPORTER

- performance
- ergonomics
- eco-friendliness
- agility
- easy-to-use
- greater security
- low operating costs
- does not emit harmful exhaust fumes
- does not generate harmful noise
- relieves the musculoskeletal system
- wide range of optional equipment
- possibility to work inside and outside buildings
- personalizing the device for the customer

THE DEVICE IS POWERED BY TWO AGM BATTERIES

The advantages of such a solution:

- do not require constant maintenance or electrolyte replenishment
- the ability to work in various positions
- low temperature does not damage the housing due to an increase in the electrolyte
- glass fiber protects the electrolyte against shocks and vibrations, even at work in extreme field conditions
- higher terminal voltage and longer service life
- high current efficiency at high current discharges in a short time

PARAMETERS

Model	ED.6	ED.8
Power	rechargeable AGM	
Charger	included	
Lifting capacity	600 kg	800 kg
Weight	ca. 250 kg	
Width	ca. 85 cm	
Drive	for one axle (optional 4x4)	4x4

THE DEVICE IS AS STANDARD

- pneumatic wheels
- two AGM batteries
- battery charge indicator
- two driving modes
- transport eyes for belts
- swivel wheels of one axle
- color to choose from
- limit switch
- ergonomically shaped non-slip handle



ADDITIONAL OPTIONS

FOR MODELS
ED.6 and ED.8



Standard version

ONLY FOR THE MODEL
ED.8



Lifting mechanism up to 90 cm from the ground



2 m long platform



Electric dumper

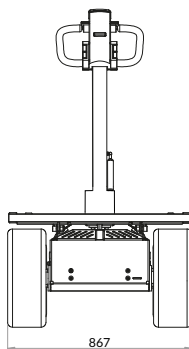
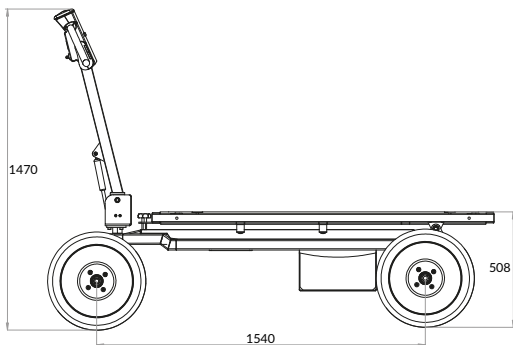


Sides

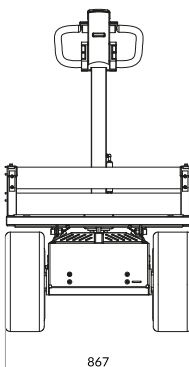
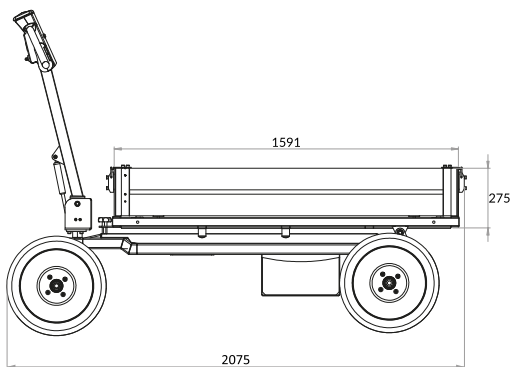


Electric dumper and lifting

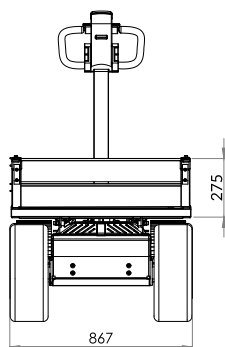
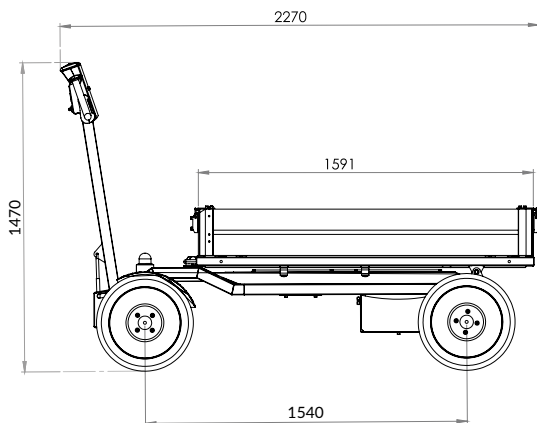
DEVICE DIMENSIONS



Standard version ED6.

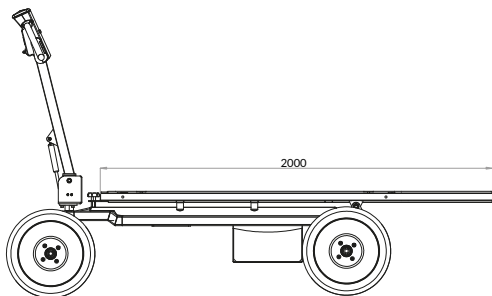


ED.6 with sides

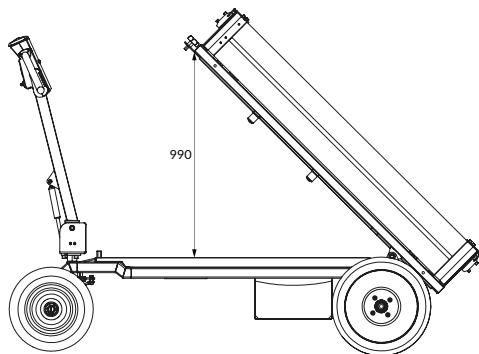


ED.8 with sides

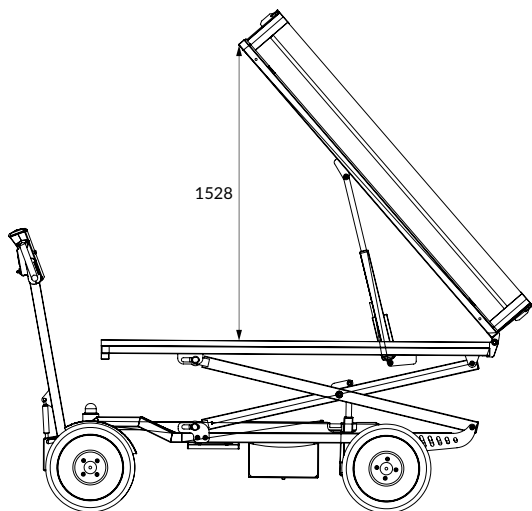
DEVICE DIMENSIONS
(dimensions as an additional option)



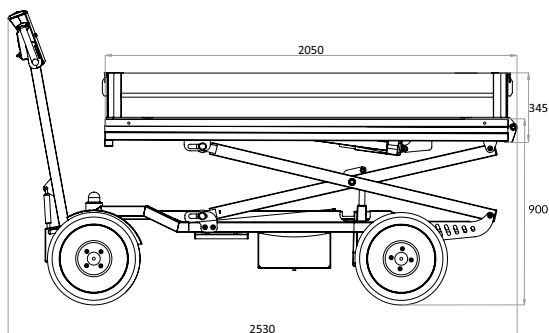
2 m long platform



Electric dumper



Electric dumper and lifting



Lifting mechanism up to 90 cm from the ground



**GREEN
LIFTER**

www.greenlifter.com
info@greenlifter.com